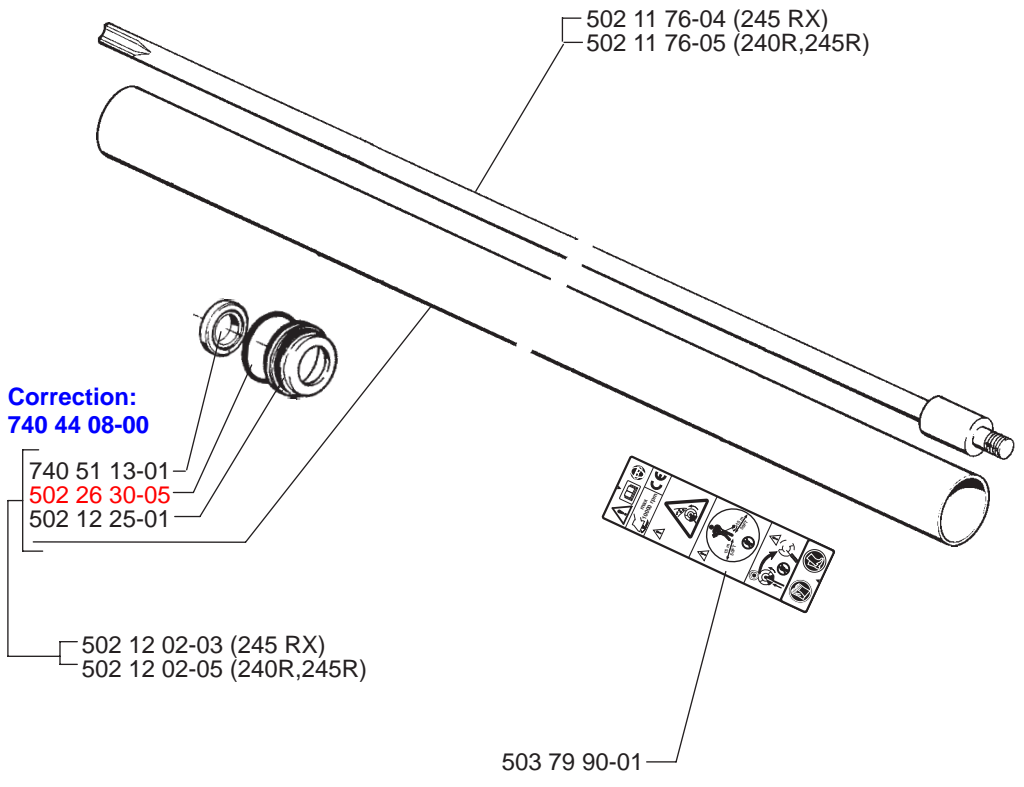
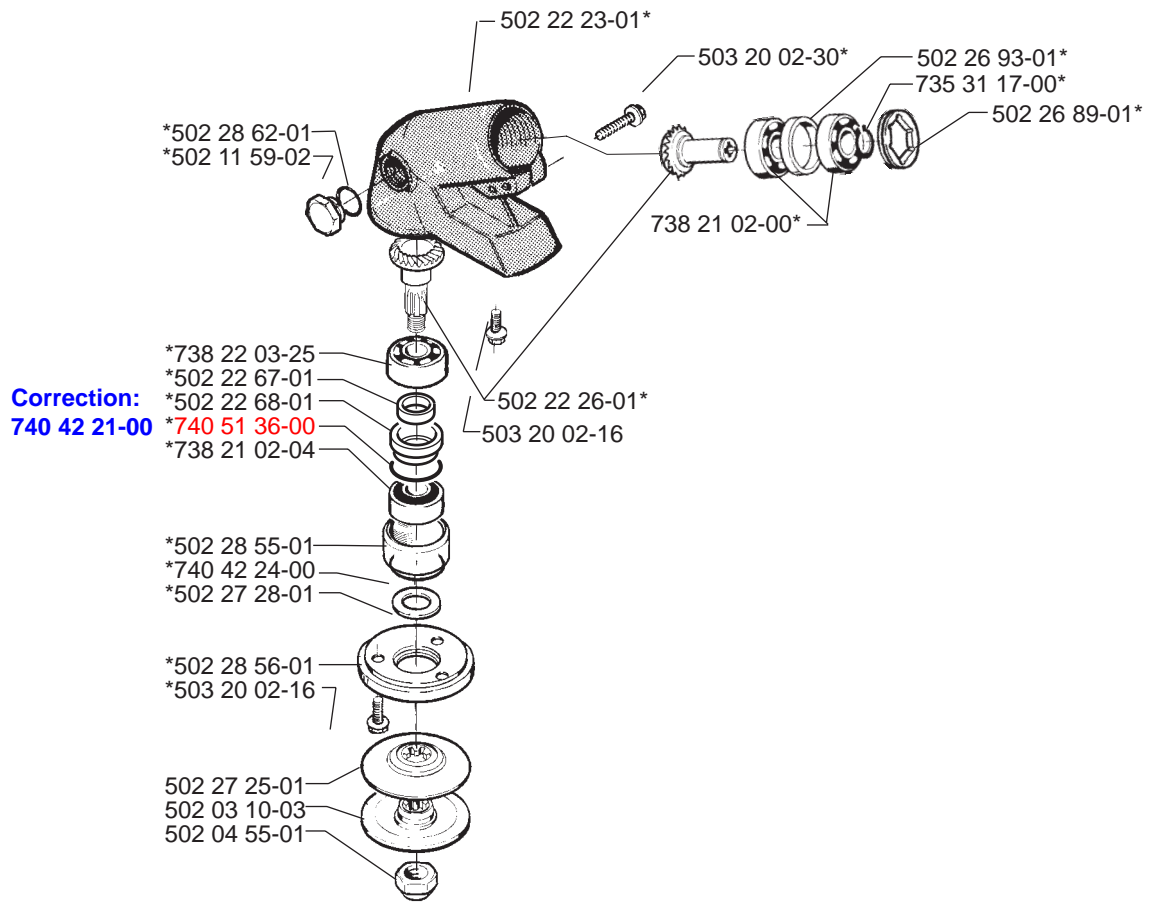
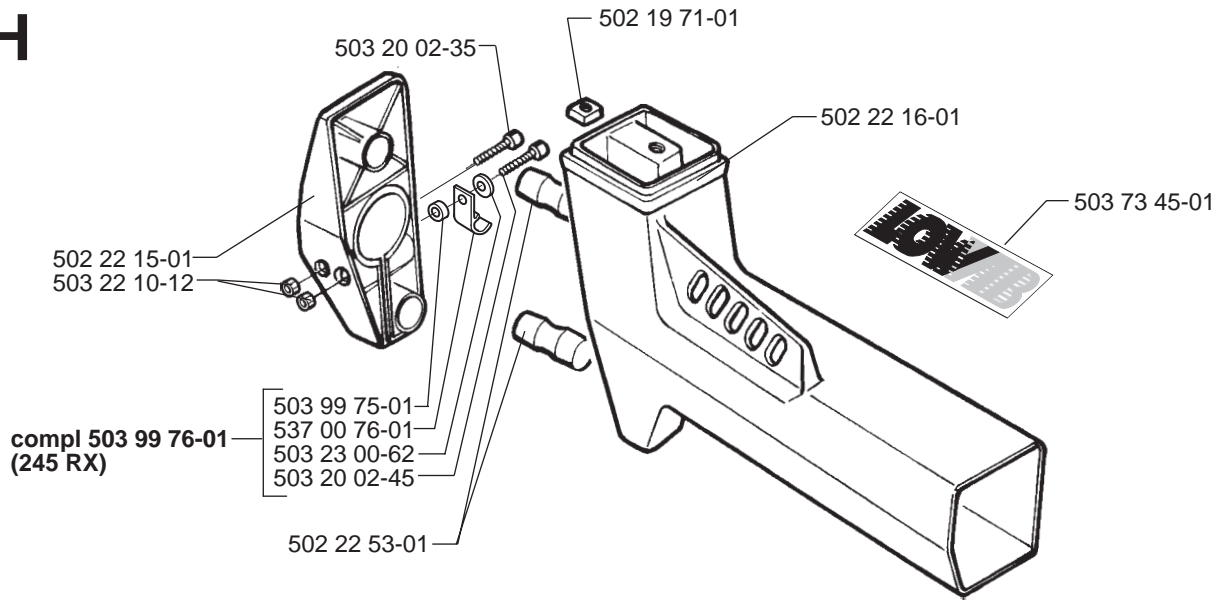


A

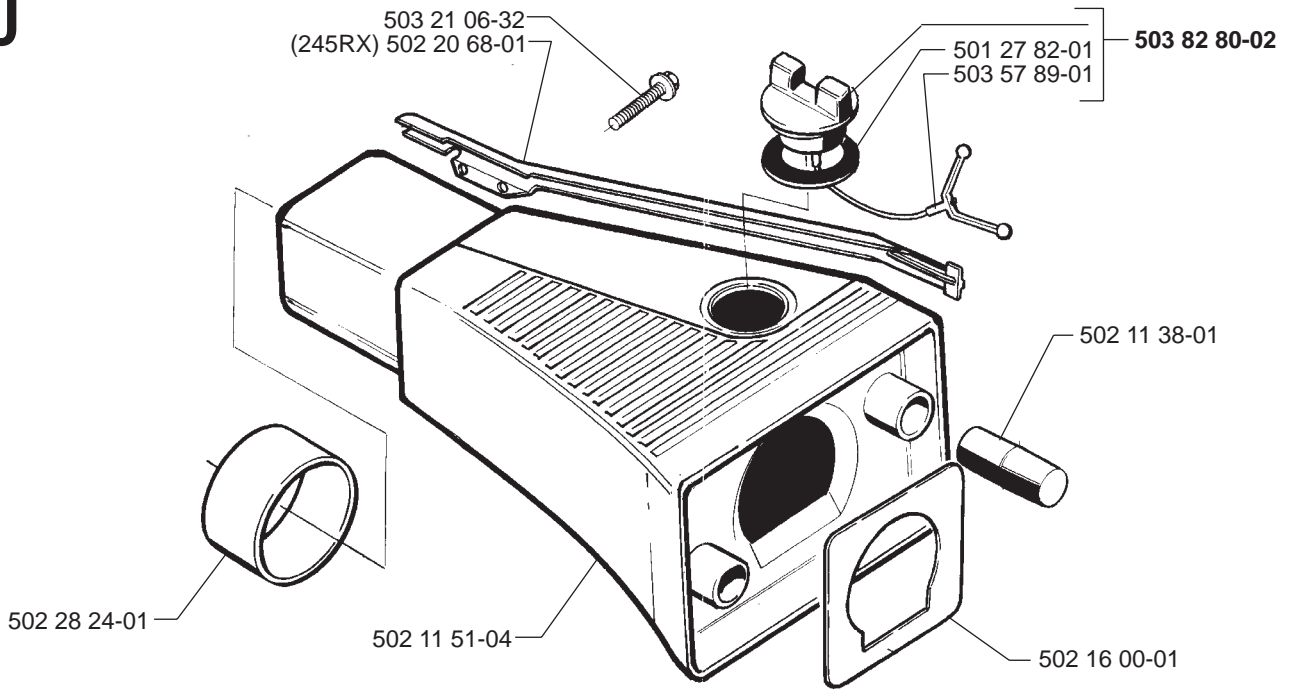
*compl 502 28 57-02



H

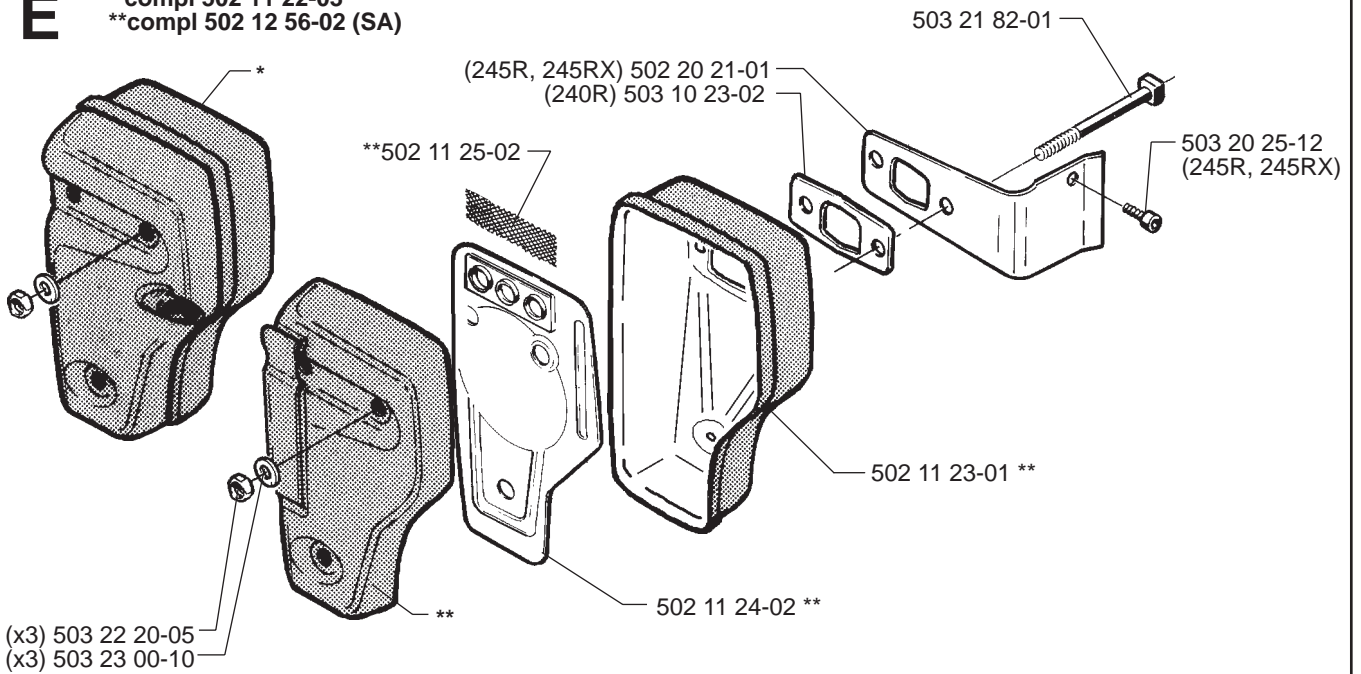


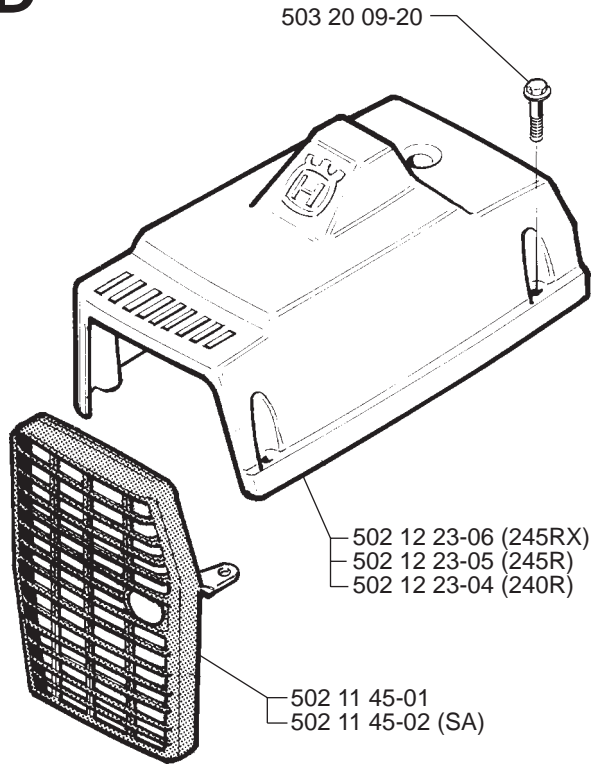
J



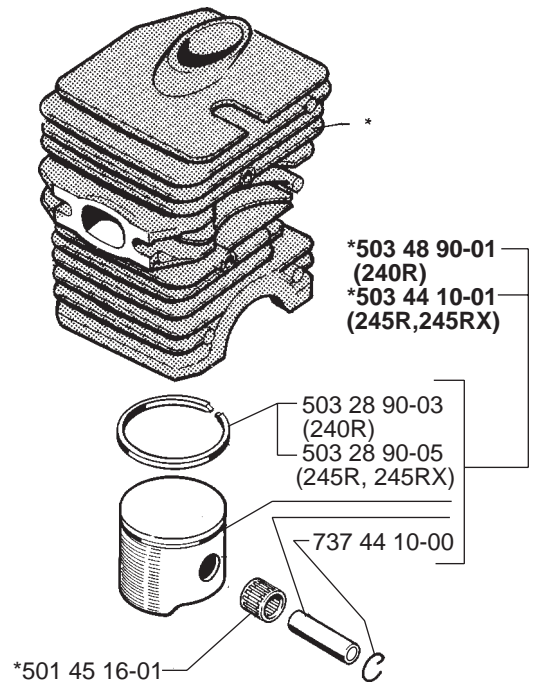
E

*compl 502 11 22-03
 **compl 502 12 56-02 (SA)

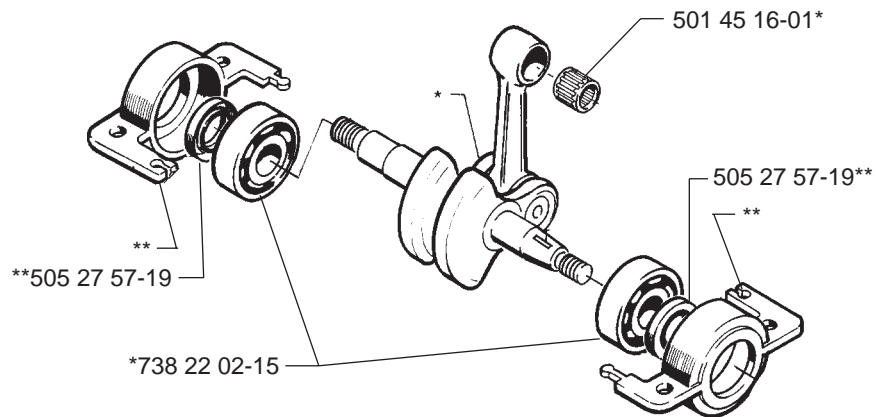


D**B**

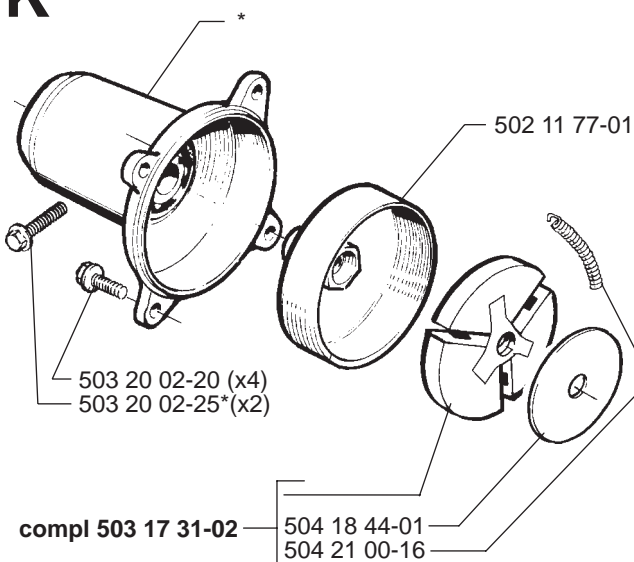
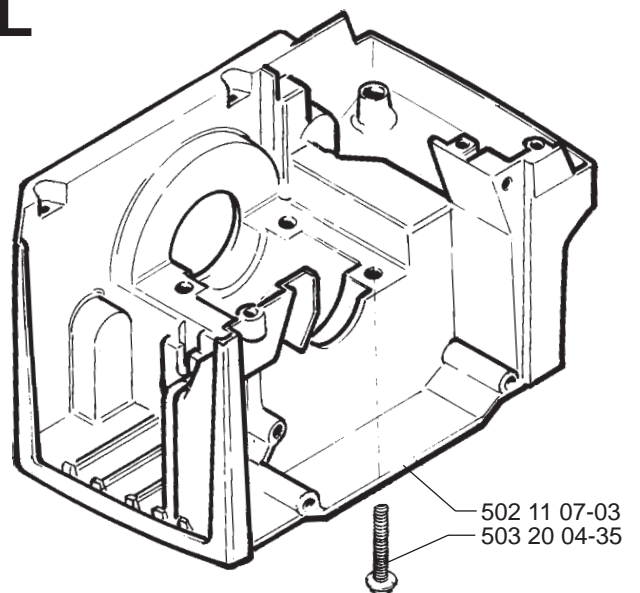
*compl 506 01 06-07 (240R)
*compl 503 44 08-02 (245R, 245RX)

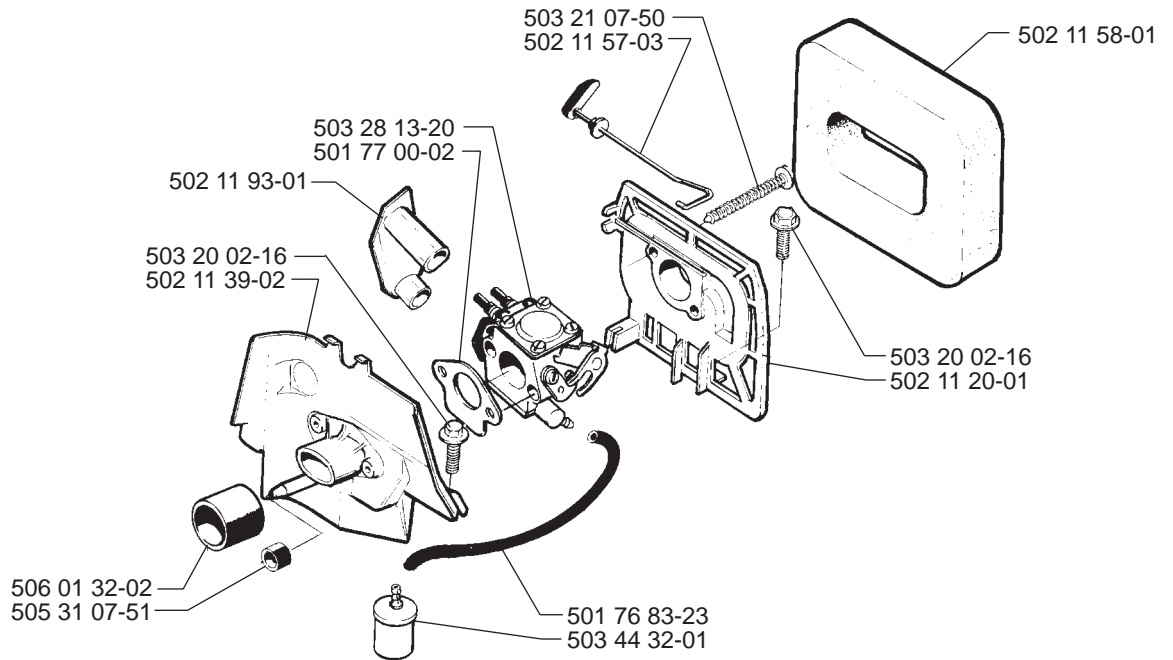
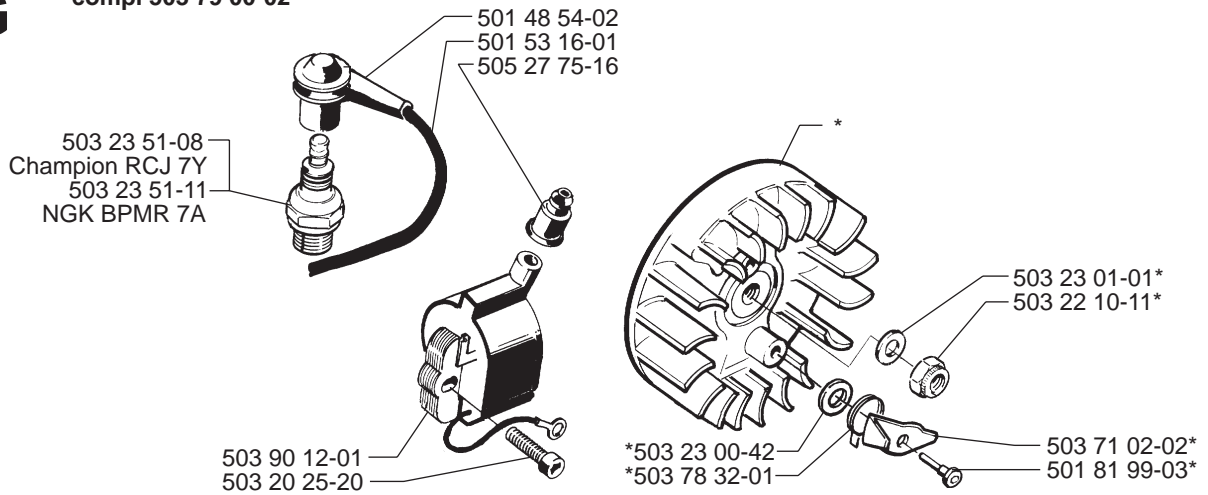
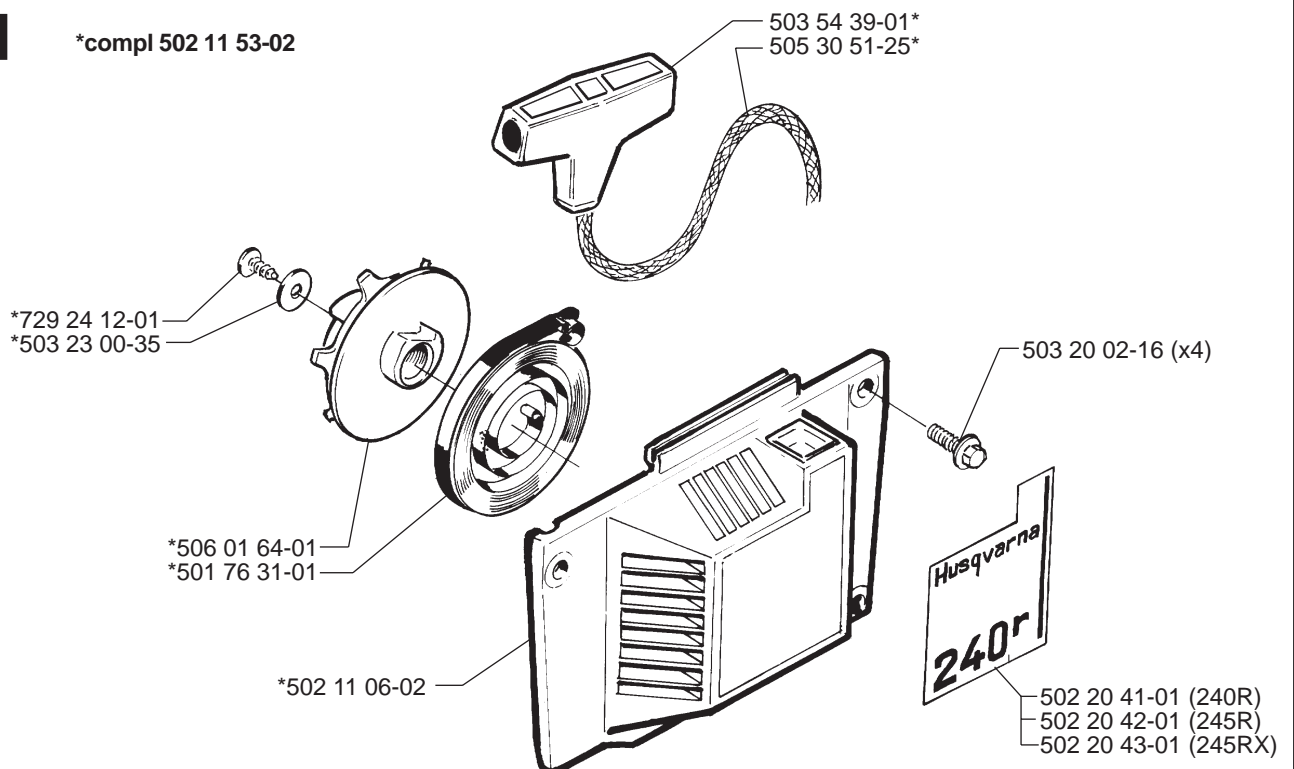
**F**

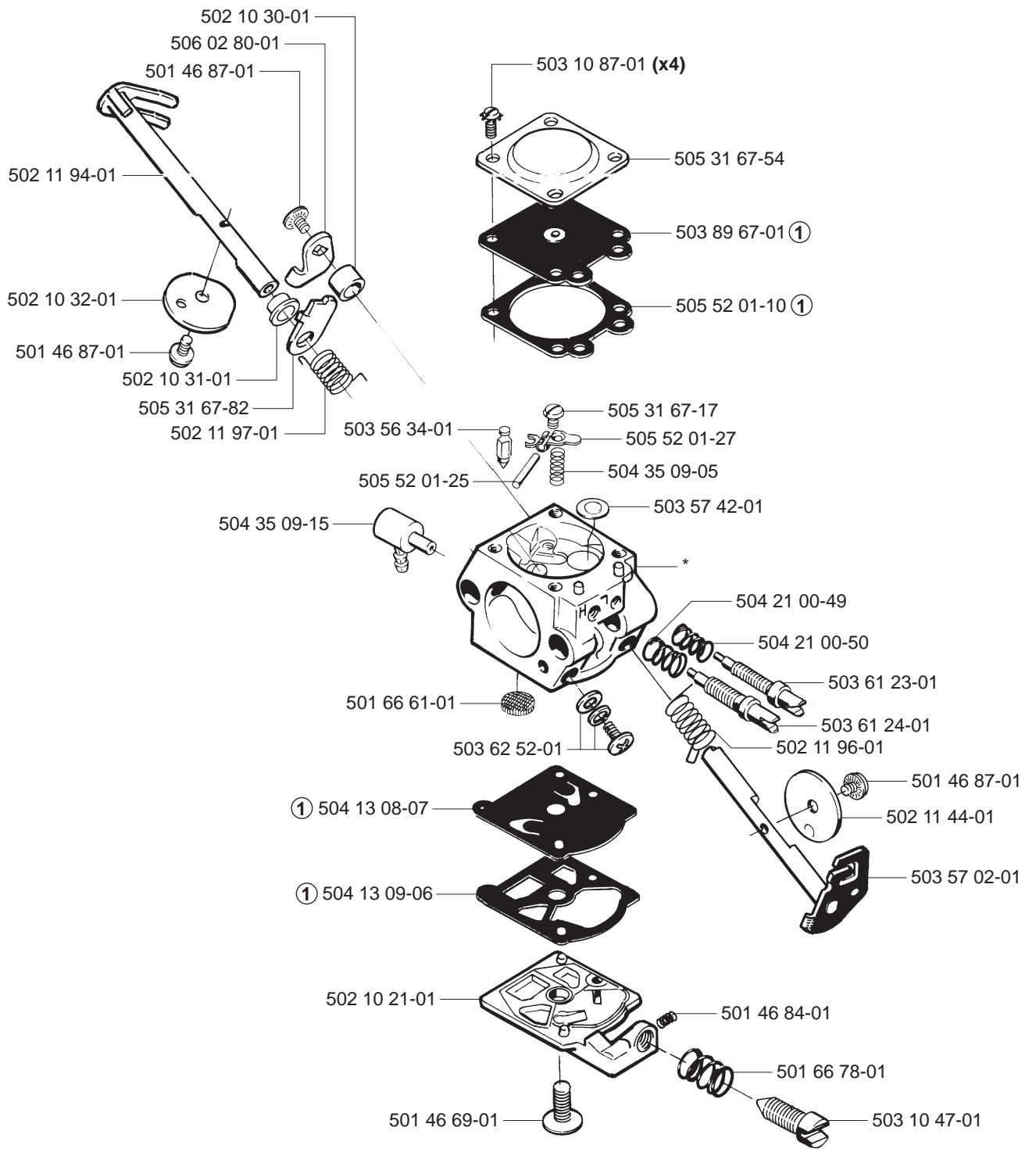
*compl 503 57 38-02
**compl 502 23 02-01

**K**

*compl 502 11 52-01

**L**

C**G*****compl 503 79 00-02****M*****compl 502 11 53-02**

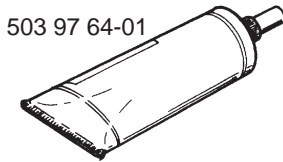
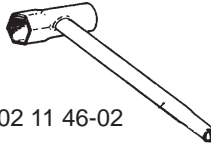
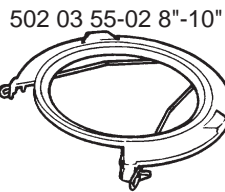
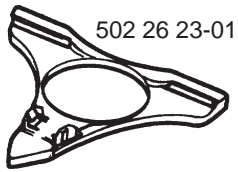
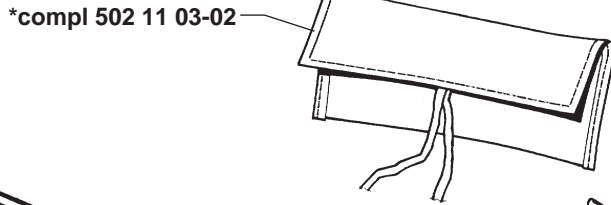
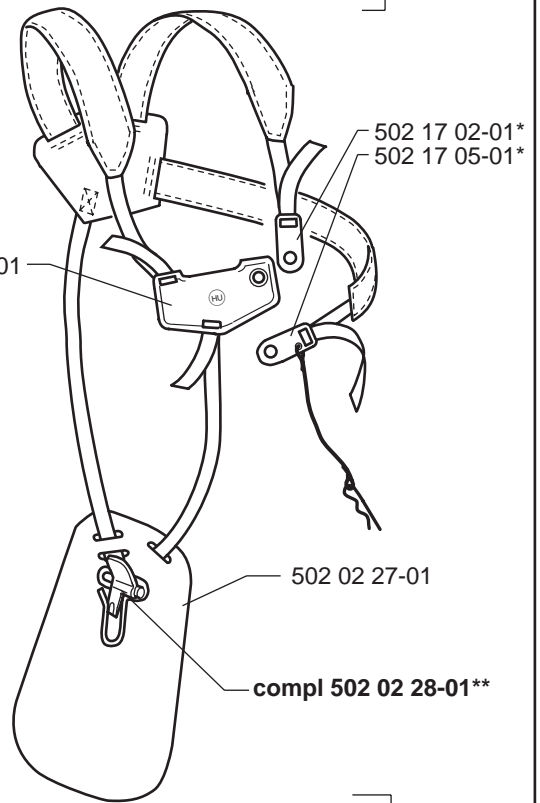


① 502 10 35-01
Set of gaskets
Dichtungssatz
Juego de juntas
Jeu de joints
Packningssats

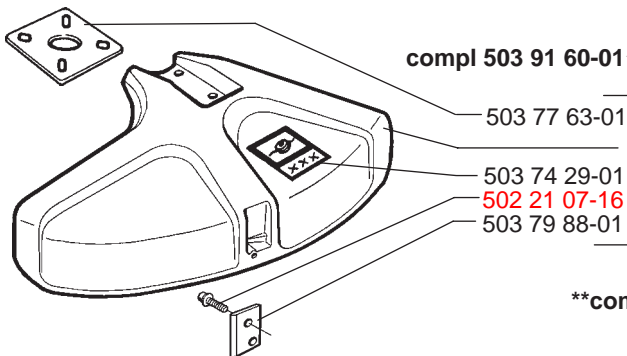
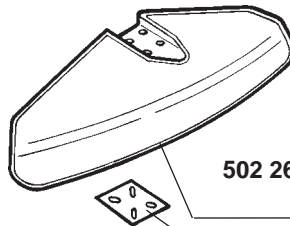
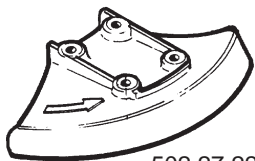
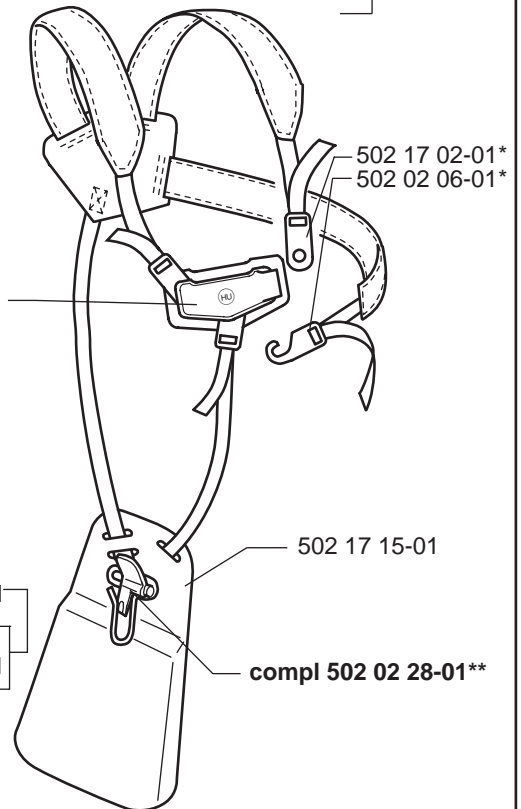
O

Accessories
Zubehöre
Accessoires
Accesorios
Tillbehör

*compl 502 17 00-01
*compl 502 17 00-02 US } 240R

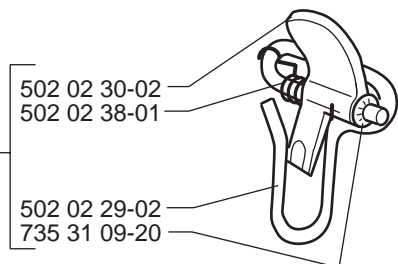


*compl 502 02 00-02
*compl 502 02 00-03 US } 245R
245RX



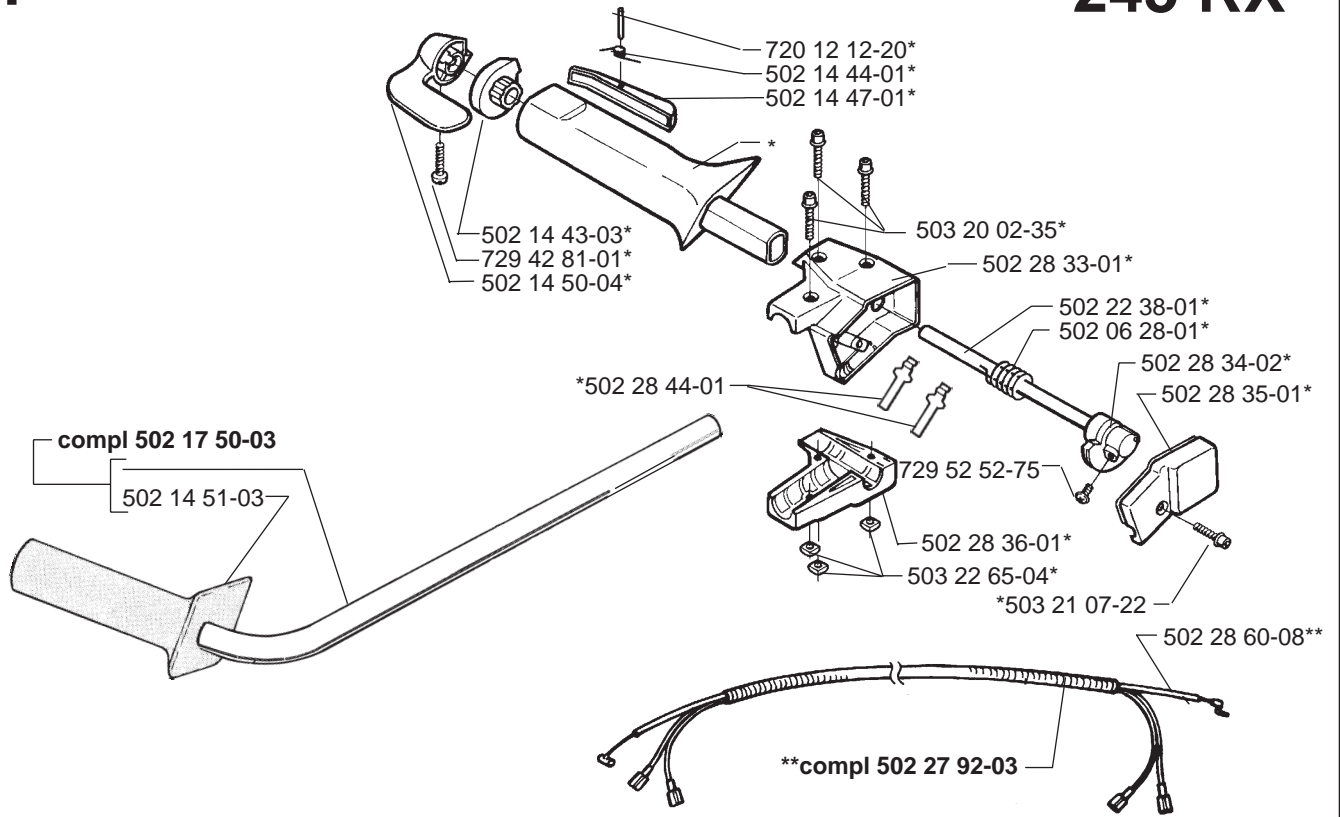
Correction:
503 21 07-16

**compl 502 02 28-01



P *compl 502 28 37-01

245 RX



Q *compl 502 28 06-01

240R, 245R

